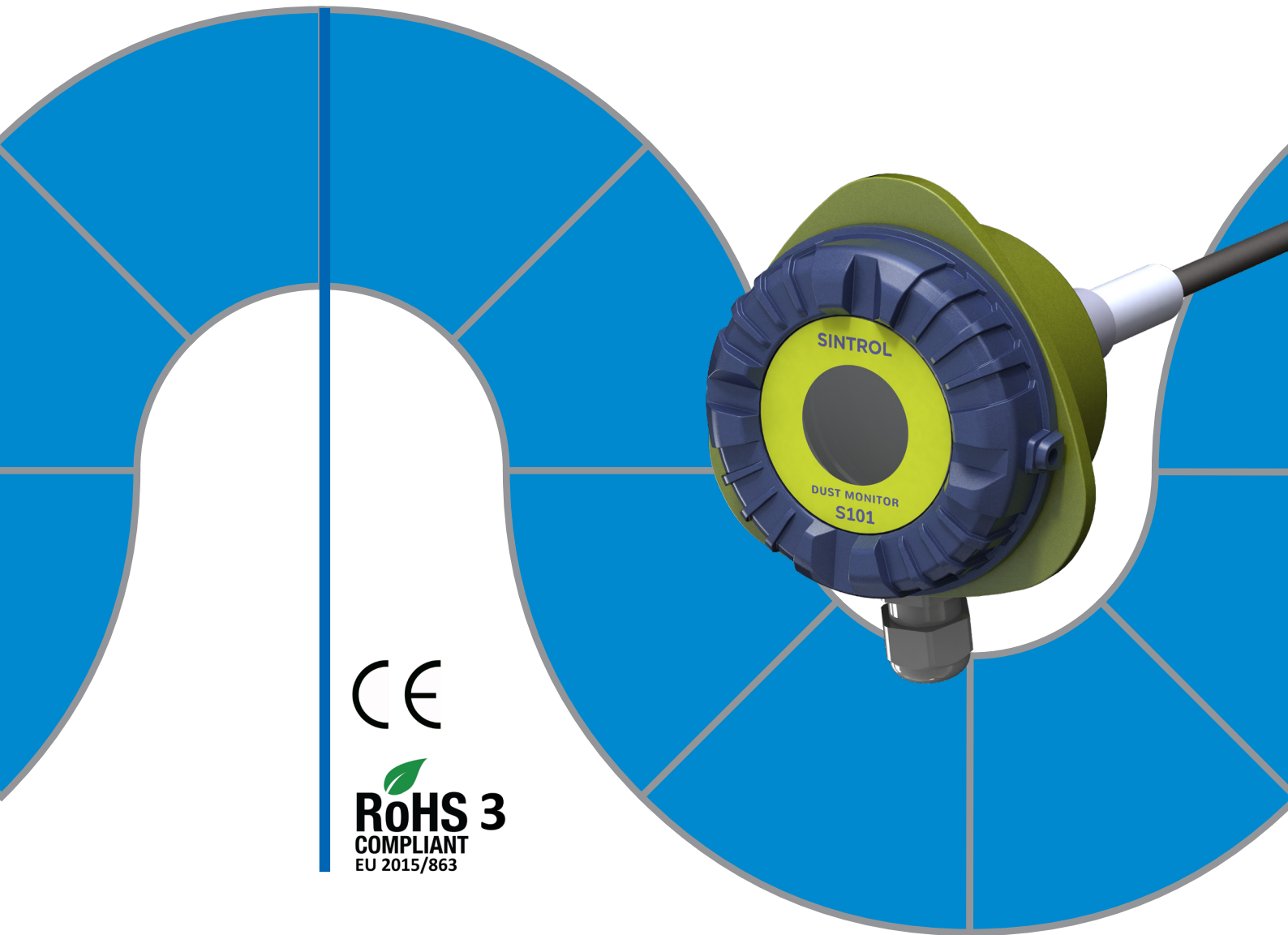
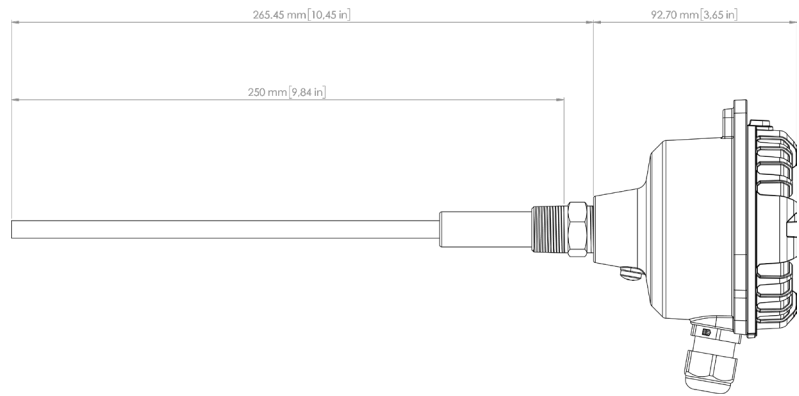
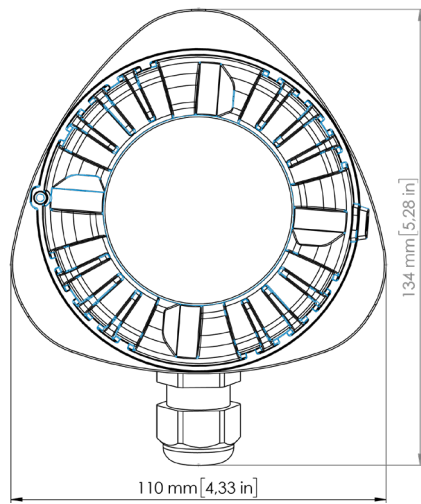


S101 / S103

Dust Detector for Filter Monitoring



- High performance dust detector
 - Detects any particulates in the air-flow
 - Very fast response to any dust leaks
- S101 comes with two relays to indicate dust alarms
- S103 comes with an active and isolated 4...20 mA output
- Rugged, IP66 rated design for harsh industrial conditions
- Visible Green, Yellow and Red LED to indicate dust levels
- Easy start-up and commissioning due to
 - Self teaching Auto Setup function
 - Selectable FAST, MEDIUM and SLOW response models



SIN101/103/03052022

| Product Name | | S101 PC901005 / S103 PC901010 |
|---------------------------------|--|-------------------------------|
| Measured objects | Solid particles in gas flow | |
| Measurement principle | Inductive Electrification | |
| Measurement range | Detection limit 0,01 mg/m ³ Max. range up to several g/m ³ depending on operating conditions | |
| Ingress protection | IP66 | |
| Power supply | 24 V DC ±10 % | |
| Power consumption | 1 W | |
| Output signals | S101: 2 × adjustable solid-state relays, max. 30 V DC / 200 mA S103: Active and isolated 4...20 mA output | |
| Communication interface | RS-485 | |
| Communication protocol | <ul style="list-style-type: none"> Modbus RTU Sintrol network | |
| Physical characteristics | | |
| Enclosure | Aluminium | |
| Probe length | 250 mm. (9,84 in), can be shortened by the user | |
| Wetted parts | <ul style="list-style-type: none"> Probe: Stainless steel (316L) Insulation: Polyether ether ketone (PEEK) | |
| Weight | 0,7 kg (1.54 lb) | |
| Ambient conditions | | |
| Temperature | -40 ... 60 °C (-40 ... 140 °F) | |
| Humidity | Max. 90 % relative humidity (non-condensing) | |
| Process conditions | | |
| Temperature | Max. 250 °C (482 °F) | |
| Pressure | Max. 200 kPa (29 psi) | |
| Flow speed | Min. 3 m/s (9.84 ft/s) | |

SINTROL GROUP

OFFICES

FINLAND
WORLD-
WIDE

Helsinki
Tel. +358 9 5617 360
info@sintrol.com
www.sintrol.fi
www.sintrol.com

UKRAINE
Subsidiary

Kiev city
Tel. +380 442803392
ua@sintrol.com

INDIA
Representative
Office

New Delhi
Tel. +91 9811676061
india@sintrol.com

CHINA
Representative
Office

Beijing
Tel. +86 1 87888681
china@sintrol.com
cn.sintrol.com

JAPAN
Representative
Office

Tokyo
Tel. +81 90 8585 1301
japan@sintrol.com

