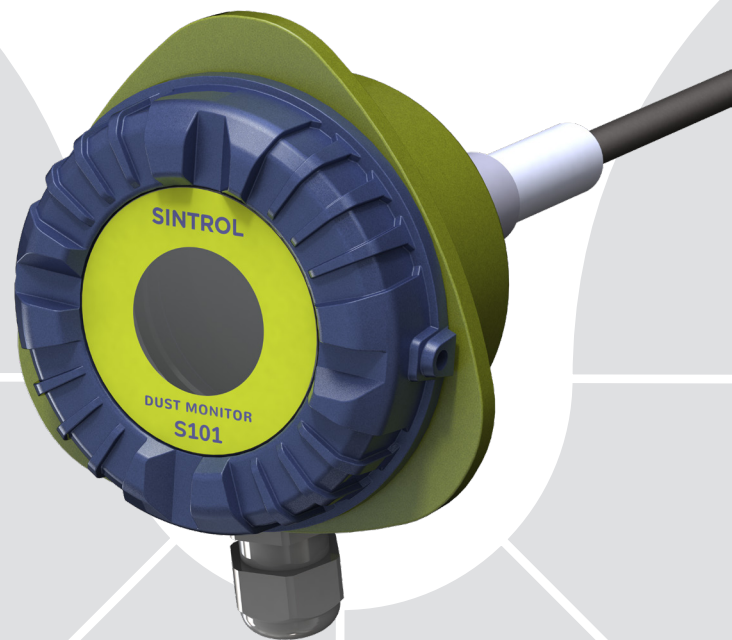
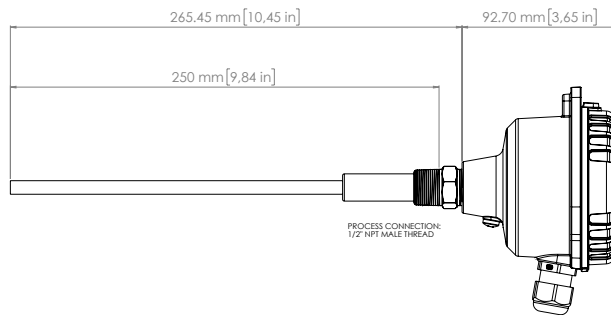
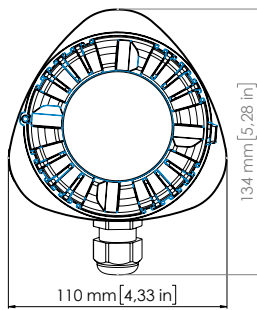


S101 / S103

Dust Detector for Filter Monitoring



- Dust detector for the detection of filter leakage or breakage
 - Detects any particulates in the air-flow
 - Very fast response to dust leaks
- S101 comes with two relays to indicate dust alarms
- S103 comes with an active and isolated 4...20 mA output
- Rugged, IP66 rated design for harsh industrial conditions
- Visible Green, Yellow and Red LED to indicate dust levels
- Designed for duct sizes < 80 cm
- Easy start-up and commissioning due to
 - Self-teaching Auto Setup -function
 - Selectable FAST, MEDIUM and SLOW response models



Product Name	S101 / S101 Ex / S103 / S103 Ex
Measured objects	Solid particles in gas flow
Measurement principle	Inductive Electrification
Measurement range	Detection limit 0,1 mg/m ³ Max. range up to several g/m ³ depending on operating conditions
Ingress protection	IP66
Power supply	24 V DC ±10 %
Power consumption	1 W
Output signals	S101: 2 × adjustable solid-state relays, max. 30 V DC / 200 mA S103: Active and isolated 4...20 mA output, max. loop resistance 500 Ω
Communication interface	RS-485
Communication protocol	<ul style="list-style-type: none"> Modbus RTU Sintrol network RS485
Cable gland size	PG11
Process connection	Weld-on process connection socket, 1/2 Inch, NPT, L=34 mm
Physical characteristics	
Enclosure	Aluminium
Probe length	250 mm. (9,84 in), can be shortened by the user
Wetted parts	<ul style="list-style-type: none"> Probe: Stainless steel (316L) Insulation: Polyether ether ketone (PEEK)
Weight	0,7 kg (1.54 lb)
Ambient conditions	
Temperature	-40 ... 60 °C (-40 ... 140 °F) Ex models -30...60 °C (-22 ... 140 °F)
Humidity	Max. 90 % relative humidity (non-condensing)
Process conditions	
Temperature	Max. 250 °C (482 °F) / Ex models Max Temp. 200 °C (392 °F)
Pressure	Max. 200 kPa (29 psi)
Flow speed	Min. 3 m/s (9.84 ft/s)
Ordering information	S101 PC901005 S101 Ex PC901006 S103 PC901010 S103 Ex PC901011
Options	FC900162 Cable Gland for Ex Models EC900041 RS485 to USB Converter for DustTool communication PC900056 Quick Clamp Kit for process connection MC900081 Weld-on connection socket, ½ inch, NPT
Hazardous location approvals Applicable to Ex models	ATEX: II 3D Ex tc IIIC T80 °C Dc -30 °C ≤ Tamb ≤ +60 °C IECEX: Ex tc IIIC T80 °C Dc -30 °C ≤ Tamb +60 °C

SINTROL GROUP

OFFICES

FINLAND
WORLD-
WIDE

Helsinki
Tel. +358 9 561 7360
info@sintrol.com
www.sintrol.fi
www.sintrol.com

INDIA
Representative
Office

New Delhi
Tel. +91 98 1167 6061
india@sintrol.com

CHINA
Representative
Office

Beijing
Tel. +86 10 8788 8681
china@sintrol.com
cn.sintrol.com

JAPAN
Representative
Office

Tokyo
Tel. +81 90 8585 1301
japan@sintrol.com

